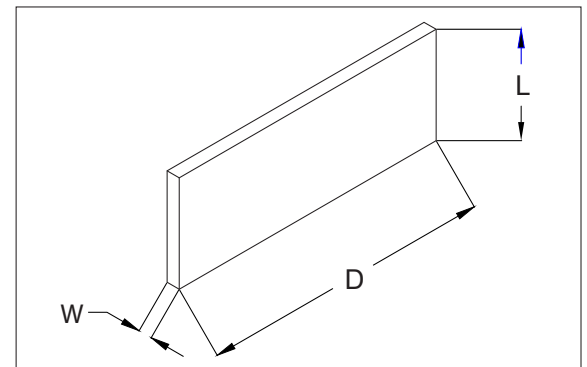
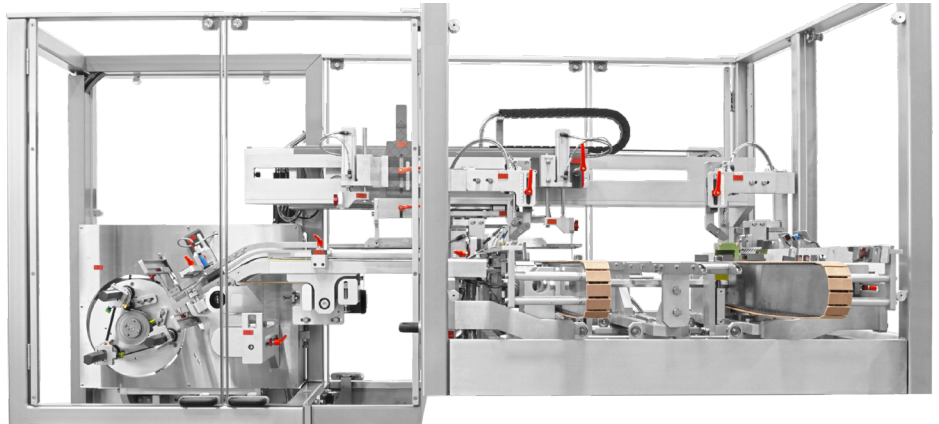


HIGH SPEED AUTOMATED INSERT FEEDING SYSTEM

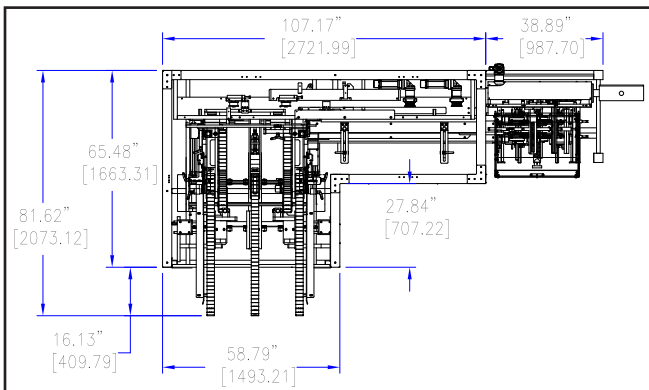
(Patent Pending)

- Compact footprint
- Low noise level
- No “water fall” or gravity transition points
- Very forgiving on insert variation
- Positive, contained single transfer
- Inserts are driven through the process; no vertical troughs that rely on gravity to drop the inserts onto a belt
- Fastest change over on the market with a wide product range
- Doesn't require change over or change out troughs for different tray sizes
- The most operator friendly tray loading in the industry
- Doesn't require operator to tear open the end of the tray
- Doesn't require operator to strategically load trays
- Unique pick release without resistance of tabbing
- 100% containment from pick to drop off point
- Great access and clean-out on entire unit



Insert Range	Length	Width	Depth	Speed
Minimum	3/4" 19.1 mm	1/16" 1.6 mm	1 1/2" 38.1 mm	-
Maximum	3" 76.2 mm	3/8" 9.5 mm	8" 203.2 mm	450

Larger Ranges Available



Standard Range Floorplan



SERPA

7020 W. Sunnyview Ave. • Visalia, CA 93291
 TEL: 559.651.2339 • FAX: 559.651.2345
 sales@serpapakaging.com
 www.serpapakaging.com